

## Product Release

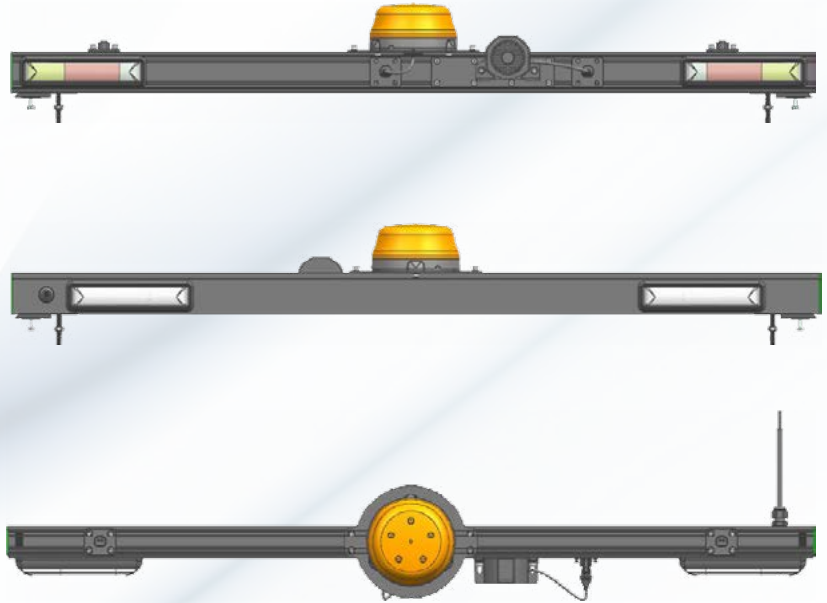


**WELDEX**  
CORPORATION

### LVW-1B2T1R-2FI MINE BAR LIGHT FRONT INDICATOR

#### FEATURES

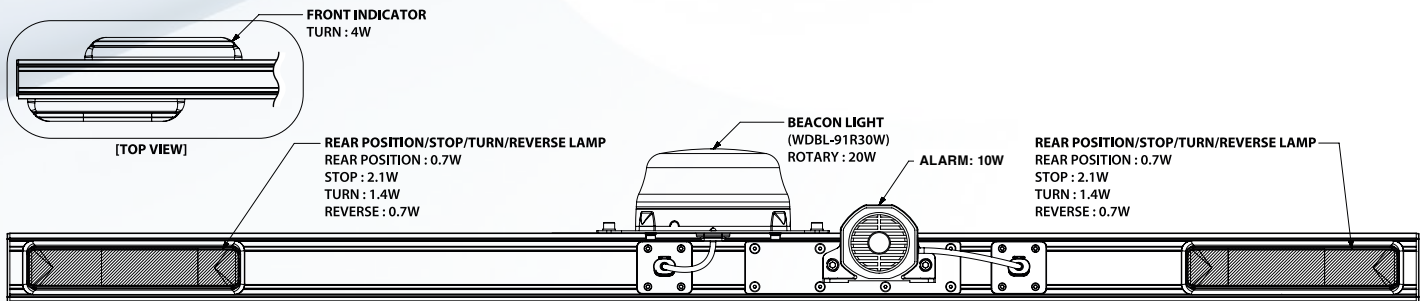
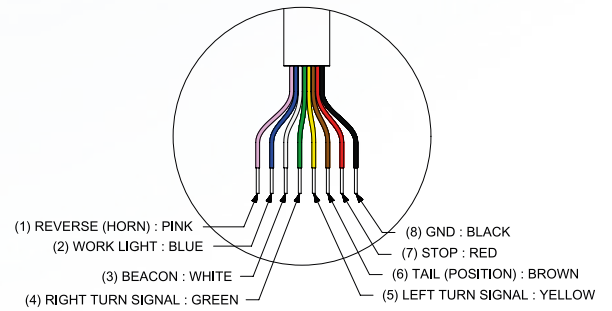
- Low profile LED Mine Bar
- Specifically designed for Mining industry vehicles
- Designed to be an all-in-one solution
- Corrosion resistant aluminum brackets, additional 2 pin DT connectors for additional work lights
- Content :
  - 2 x Rear Combination Lamp (Stop/Tail/Reverse/Direction Indicator)
  - 1 x Reverse Alarm
  - 1 x LED rotary beacon



#### SPECIFICATION

NO.	PART NAME	QTY	FUNCTION	WATTAGE	REMARKS
1	REAR POSITION / STOP / TURN / REVERSE LAMP	2	REAR POSITION	0.7W / 1pcs	0.1W@DC12V, 0.7W@DC24V
			STOP	2.1W / 1pcs	1.4W@DC12V, 2.1W@DC24V
			TURN	1.4W / 1pcs	0.9W@DC12V, 1.4W@DC24V
			REVERSE	0.7W / 1pcs	0.3W@DC12V, 0.7W@DC24V
2	BEACON LIGHT	1	ROTARY	20W max.	
3	HORN	1	ALARM	10W max.	SOUND LEVEL 107*3 dB
4	FRONT INDICATOR	2	TURN	4W / 1pcs	

OPERATING VOLTAGE | DC 12V, 24V



#### DIMENSIONS

